

# PANTHER - MODEL: AEP6MI

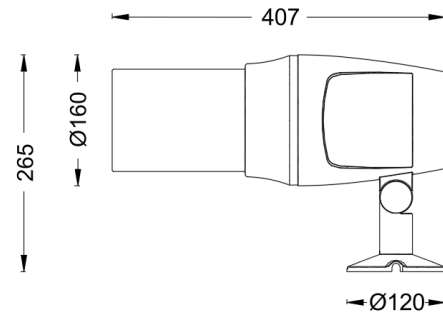
## Spot Luminaires

WAC ARCHITECTURAL

Project Name:

Type:

### Product Image



### Product Description

The PANTHER Series GOBO Projector is a professional lighting solution that combines cutting-edge technology and artistic expression, developed by WAC. Its aluminum-alloy housing isolates the optical components completely from the external environment, ensuring long-term stability and durability for outdoor applications. Equipped with a precision optical system, it supports multiple functions including four-leaf framing, circular beam adjustment, and customized GOBO projection. This makes it an ideal choice for architectural façades, landscape lighting, and artistic illumination in commercial spaces, providing designers with a reliable and creatively empowering lighting tool for brand storytelling and visual design.

### Product Features

- **Body Material:** Aluminum die-casting lamp body
- **Optical System:** Lens
- **Finish:** Electrostatic powder coating
- **Objection Angle:** Vertical (Upward: 0-25° Downward 30° )  
Horizontal 0-330°
- **Accessory / Bracket:** See attachment
- **Certification:** CCC
- **IP Rating:** IP65
- **Insulation Class:** Class I
- **Operating Temperature:** 20°C~50°C

### Product Specifications

- **LED Type:** High Power
- **Power:** 34W (Max)
- **Source Im:** 3000K 3570lm; 4000K 3855lm; 6500K 4069lm
- **LED Lifetime:** >50000h-L70 /B10-Ta25°C(LM-80/TM-21)
- **CCT/CRI:** 3000K / 4000K / 6500K, Ra90, RGBW
- **SDCM:** 3 SDCM(MONO), 5 SDCM(RGBW)
- **Input:** 220V AC
- **Dimming:** ON-OFF/0-10V/DMX512
- **Net Weight:** Approx. 5.5Kg, without packaging

### Order Model

Model	Power (W)	Max Lumens (lm)	Control Systems	Beam	CCT	Finish
AEP6MI	40 40 (Max)	2718	EL ON-OFF 220V AC Power Supply	F Adjustable Beam Angle 15°-45°	30 3000K	BK Black
			DL 0-10V Dimming 220V AC Power Supply	1 16° 2 24°	40 4000K	WT White
			ML DMX512 Dimming 220V AC Power Supply	3 30°	65 6500K	

Example: AEP6MI-40EL130BK

WAC Lighting  
www.waclighting.com (US)  
www.waclighting.net (International)

Headquarters  
44 Harbor Park Drive • Port Washington, NY  
Phone (516) 515.5000 • Fax (516) 515.5050

WAC GROUP  
TECHNOLOGY ILLUMINATED

WAC Lighting reserves the right to periodically design and update products. 2025-08-12

# PANTHER - MODEL: AEP6MI

## Spot Luminaires

WAC ARCHITECTURAL




Project Name:

Type:

Model	Power (W)	Max Lumens (lm)	Control Systems	Beam	CCT	Finish
<b>AEP6MI</b>	<b>40</b> 40 (Max)	/	<b>ML</b> DMX512 Dimming 220V AC Power Supply	<b>F</b> Adjustable Beam Angle 15°-45°	<b>F6</b> RGBW (6500K)	<b>BK</b> Black <b>WT</b> White

Example: AEP6MI-40MLFF6BK

### Accessory

Model	Item	Pic	Mounting	Dimensions
cutting-edge accessory				
<b>ALENS-EP6MI-F</b>	Lens		Change from R-type four-leaf cutting mode to F-type circular beam adjustment mode.	/
<b>ALENS-EP6MI-R</b>	Lens		Change from F-type circular beam adjustment mode to R-type four-leaf cutting mode.	/
GOBO accessory				
<b>ALENS-EP6MI-GOBO</b>	GOBO	/	GOBO dimensions: thickness (t) = 1 mm, outer diameter (D) = Ø33 mm, inner image area (d) = Ø14 mm. Text or pattern can be customized (the design diameter must not exceed d).	

Note: All accessories must be ordered separately; the fixture is shipped without a GOBO by default.

Framing accessories are interchangeable and can be installed together with a GOBO, but only one cutting accessory can be mounted on each fixture at a time.

# PANTHER - MODEL: AEP6MI

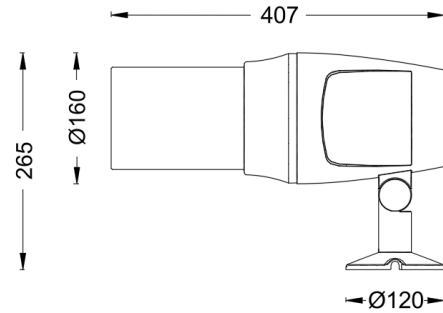
## Spot Luminaires

WAC ARCHITECTURAL

Project Name:

Type:

### Product Image



### Product Description

The PANTHER Series GOBO Projector is a professional lighting solution that combines cutting-edge technology and artistic expression, developed by WAC. Its aluminum-alloy housing isolates the optical components completely from the external environment, ensuring long-term stability and durability for outdoor applications. Equipped with a precision optical system, it supports multiple functions including four-leaf framing, circular beam adjustment, and customized GOBO projection. This makes it an ideal choice for architectural façades, landscape lighting, and artistic illumination in commercial spaces, providing designers with a reliable and creatively empowering lighting tool for brand storytelling and visual design.

### Product Features

- **Body Material:** Aluminum die-casting lamp body
- **Optical System:** Lens
- **Finish:** Electrostatic powder coating
- **Objection Angle:** Vertical (Upward: 0-25° Downward 30° )  
Horizontal 0-330°
- **Accessory / Bracket:** See attachment
- **Certification:** CCC
- **IP Rating:** IP65
- **Insulation Class:** Class I
- **Operating Temperature:** 20°C~50°C

### Product Specifications

- **LED Type:** High Power
- **Power:** 50W(Max)
- **Source Im:** 3000K 5000lm; 4000K 5400lm; 6500K 5750lm
- **LED Lifetime:** >50000h-L70 /B10-Ta25°C(LM-80/TM-21)
- **CCT/CRI:** 3000K/4000K/6500K, Ra90, RGBW
- **SDCM:** 3 SDCM(MONO), 5 SDCM(RGBW)
- **Input:** 220V AC
- **Dimming:** ON-OFF/0-10V/DMX512
- **Net Weight:** Approx. 5.5Kg, without packaging

### Order Model

Model	Power (W)	Max Lumens (lm)	Control Systems	Beam	CCT	Finish
AEP6MI	60 60 (Max)	4118	EL ON-OFF 220V AC Power Supply	F Adjustable Beam Angle 15°-45°	30 3000K	BK Black
			DL 0-10V Dimming 220V AC Power Supply	1 16° 2 24°	40 4000K	WT White
			ML DMX512 Dimming 220V AC Power Supply	3 30°	65 6500K	

Example: AEP6MI-60EL130BK

WAC Lighting  
www.waclighting.com (US)  
www.waclighting.net (International)

Headquarters  
44 Harbor Park Drive • Port Washington, NY  
Phone (516) 515.5000 • Fax (516) 515.5050

WAC GROUP  
TECHNOLOGY ILLUMINATED

# PANTHER - MODEL: AEP6MI

## Spot Luminaires

WAC ARCHITECTURAL




Project Name:

Type:

Model	Power (W)	Max Lumens (lm)	Control Systems	Beam	CCT	Finish
<b>AEP6MI</b>	<b>60</b> 60 (Max)	/	<b>ML</b> DMX512 Dimming 220V AC Power Supply	<b>F</b> Adjustable Beam Angle 15°-45°	<b>F6</b> RGBW (6500K)	<b>BK</b> Black <b>WT</b> White

Example: AEP6MI-60MLFF6BK

### Accessory

Model	Item	Pic	Mounting	Dimensions
cutting-edge accessory				
<b>ALENS-AEP6MI-F</b>	Lens		Change from R-type four-leaf cutting mode to F-type circular beam adjustment mode.	/
<b>ALENS-AEP6MI-R</b>	Lens		Change from F-type circular beam adjustment mode to R-type four-leaf cutting mode.	/
GOBO accessory				
<b>ALENS-AEP6MI-GOBO</b>	GOBO	/	GOBO dimensions: thickness (t) = 1 mm, outer diameter (D) = Ø33 mm, inner image area (d) = Ø14 mm. Text or pattern can be customized (the design diameter must not exceed d).	

Note: All accessories must be ordered separately; the fixture is shipped without a GOBO by default.

Framing accessories are interchangeable and can be installed together with a GOBO, but only one cutting accessory can be mounted on each fixture at a time.